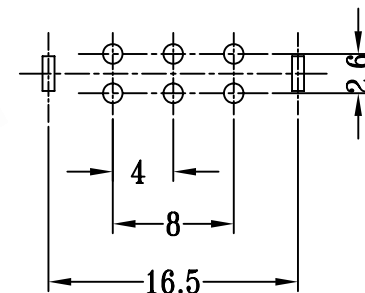
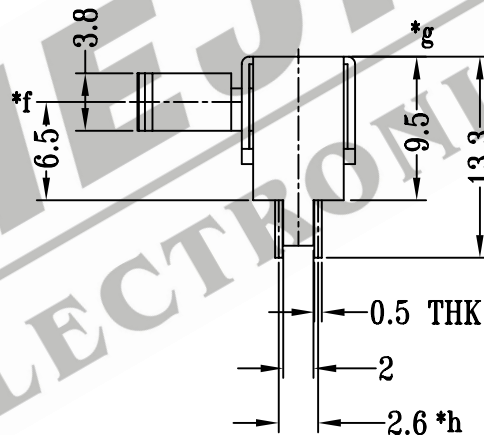
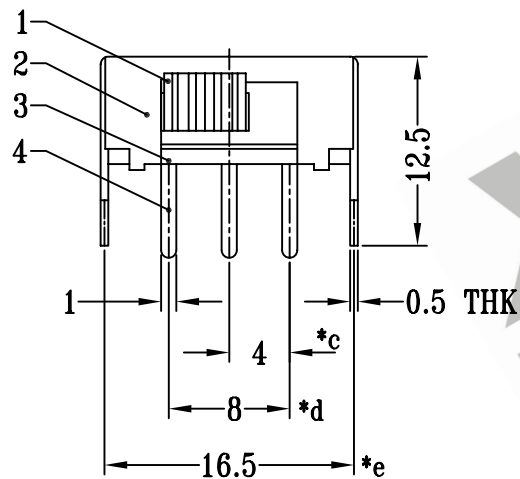
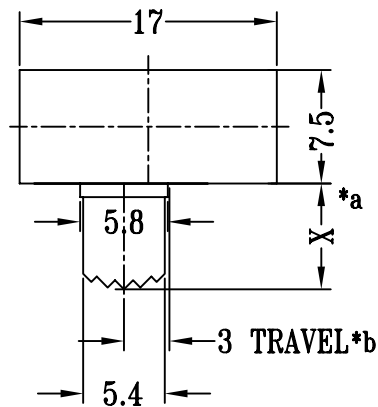


CAD FILE:



SCHEMATIC (NON-SHORTING)

P.C.B LAYOUT

注:带"*"表示关键尺寸(8个)

NO.	PART NAME	MATERIAL	Q'TY	FINISHING	TOLERANCE UNLESS SPECIFIED	SHENZHEN XIEJIA ELECTRONICS CO.,LTD.			
8									
7									
6	SPRING	STEEL WIRE	2	TEMPER	WITHIN: 1.5±0.1mm	ISSUE	DATE	DESCRIPTIONS	APPD.
5	CONTACT	BRASS STRIP	2	Ag PLATED	OVER : 1.5±0.2mm				
4	TERMINAL	BRASS STRIP	6	Ag PLATED OVER Ni PLATED	TITLE :HORIZONTAL SLIDE SWITCH	UNIT : MM	DRWG NO.: XJ-DR-SK22F17-00		
3	BASE	PHENOLIC RESIN	1	BLACK	MODEL: SK-22F17	SCALE: 2 : 1	DWN.	ZHOUYU	2001-12-26
2	FRAME	STEEL STRIP	1	Ni PLATED			CHK'D	FANGYING	2001-12-26
1	KNOB	POM	1	BLACK	ALL MATERIALS MUST BE COMPLIANT TO ROHS		APPD.	KANGXINAN	2001-12-26